



IP67 and IP66 Rated for Dust and Liquids.

Durable, Rugged Construction.

Intuitive, Quick Action Mating.

## HUBBELL HiImpact Patch Cords, Category 5e



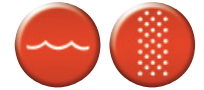
**Vibration TIA 568-B.2**  
Transmission integrity.



**Flexible, Durable Patch Cable**  
Resistant to UV, chemicals, cleaning agents, and oils.



**Maximum Cable Strain Relief**  
Resists pull-out.



**O-Ring Seal**  
Reliable IP67 and IP66.

**User-Friendly Quick Connect**  
Positive indication when fully engaged.



**Valox® Construction**  
Resistant to temperature extremes and impact.

**HARSH**

### SPECIFICATIONS

#### Plug Housing

- ◆ Environmental
  - Ingress Protection: IP67 and IP66 (dust/water).
  - Corrosion: Resistant to most common chemicals, oils and cleaning agents.
  - **HI-IMPACT™** Housing: UV resistant.
  - **HI-IMPACT™** Housing Temperature Range: TIA/EIA-568-B -25°C to 70°C.
- ◆ Mechanical
  - Vibration:
    - Frequency range: 10-500Hz.
    - Acceleration: 5g (operational).
  - Mating cycles: 750 minimum.
  - UL 1863 compliant.
- ◆ Material
  - Connector housing: Valox®, UL 94V-0.

#### Plug Construction

- ◆ Mechanical
  - Cable to plug tensile strength: 20+ lbs.
- ◆ Material
  - Plug body: Polycarbonate UL 94V-0.
  - Plug boot: High performance PVC.
  - Contact: High strength copper alloy.
  - Plating: 50 micro-inch Gold over 100 micro-inch nickel under plating.

#### Cable Construction

- Conductor: 24AWG.
- Dielectric: Polyolefin.
- Outer jacket: flexible thermoplastic, nom. O.D. 0.256".
- Operating temperature: -40°C to 75°C.
- ◆ Electrical
  - ANSI/TIA/EIA-568-B.2 (Category 5e).
  - Supports TIA TR42.9 Draft.
  - Supports IEEE 802.3af to 4 times the DTE Power specification.
  - Exceeds IEEE 802.3ab Gigabit specification to  $< 1 * 10^{-13}$ .

**HI-IMPACT™** Category 5e Patch Cord assemblies deliver the superior transmission performance your network needs packaged in a durable **HI-IMPACT™** shell providing the ultimate protection your harsh environment demands.

The **HI-IMPACT™** patch cords are available in a large variety of lengths and styles to accommodate various combinations of HI-impact and standard RJ-45 types.

Hubbell's **HI-IMPACT™** system is more than just a connection. It is a complete end-to-end communications solution designed to solve problems in the most punishing to the least severe environments.

### APPLICATIONS

- Use in applications with demanding environments like automation, manufacturing, marinas, paper mills, pharmaceutical, utility companies, refinement and waste treatment facilities to protect network connections to IP devices.

### APPROVALS

- UL/cUL Listed.



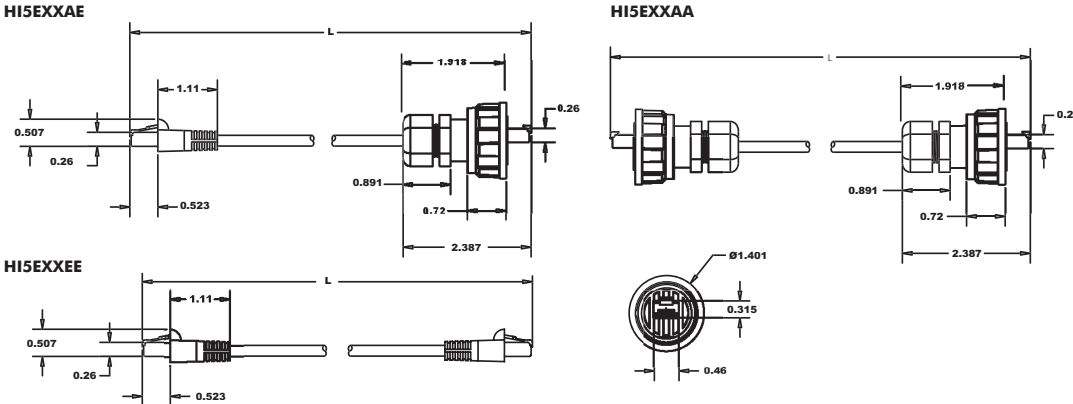
**HI-IMPACT™ Patch Cords, Category 5e**

**Order Information**

Delivery: 1 factory assembled patch cord with double jacketed UTP cable for harsh environments.  
 Termination Catalog No.  
 Cat 5e HI-IMPACT™ RJ-45 to standard RJ-45 **HI5EXXAE**  
 Cat 5e HI-IMPACT™ RJ-45 on both ends **HI5EXXEE**  
 Standard Cat 5e RJ-45 on both ends **HI5EXXAA**  
 Substitute "XX" with 03, 05, 07, 10, 15, 20, 25, 30, 35, 40, 45, 50 to indicate length in feet.



**DIMENSIONS**



**ACCESSORIES**

**HI-IMPACT™ Connectors**

Delivery: 1 housing, 1 jack, 1 flat bulkhead gasket, and 1 retaining nut.

Description	Connector
Cat 5e Jack (UTP)	<b>HI5E</b>
Cat 5e Inline Adapter	<b>HI5EC</b>
Connector Cap	<b>HIC</b>



**HI-IMPACT™ Plates**

**Stainless Steel**

Ports	Gang	Cat. No.
1	1	<b>HISF11</b>
2	1	<b>HISF12</b>
2	2	<b>HISF22</b>
4	2	<b>HISF24</b>



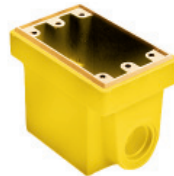
**Thermoplastic, 4-Point FS/FD, 1-Gang**

Ports	Color	Cat. No.
1	Gray	<b>HI14GY</b>
2	Gray	<b>HI24GY</b>
1	Yellow	<b>HI114PY</b>
2	Yellow	<b>HI124PY</b>



**Fiberglass Weatherproof Device Box**

Knockout	Color	Cat. No.
3/4"	Yellow	<b>HBL60CM83HI</b>



**Cast Aluminum Device Box w/Lugs**

Knockout	Color	Cat. No.
1/2"	Gray	<b>HIFD1L</b>
3/4"	Gray	<b>HIFD2L</b>

**Cast Aluminum Weatherproof Device Box with Lugs**

Knockout	Color	Cat. No.
1/2"	Gray	<b>HIWP05GY</b>
3/4"	Gray	<b>HIWP75GY</b>

**NEMA 4X Box**

Ports	Thermoplastic	Stainless Steel
	Cat. No.	Cat. No.
1	<b>HI14XGY</b>	<b>HI1CBSS</b>
2	<b>HI24XGY</b>	<b>HI2CBSS</b>
4	<b>HI44XGY</b>	-
6	<b>HI64XGY</b>	-



**NEMA 4/12 Box**

**Powder-coated Steel, Gray**

Port	Cat. No.
1	<b>HI1CBG</b>
2	<b>HI2CBG</b>



**Hubbell Premise Wiring**

HUBBELL INCORPORATED (Delaware)  
 14 Lord's Hill Road • Stonington, CT 06378-0901 • (860) 535-8326 • 800-626-0005  
 Fax: (860) 535-8328 • Internet site: <http://www.hubbell-premise.com>

**Worldwide Locations**

Hubbell Premise Wiring, Asia Pacific	852-2836-7131	Fax: 852-2836-7132
Hubbell Canada Inc.	905-839-1138	Fax: 905-839-9108
Hubbell Premise Wiring, Central America	506-309-4158	Fax: 506-260-1616
Hubbell Premise Wiring, China	8621-6309-0119	Fax: 8621-6309-0122
Hubbell Premise Wiring, Colombia	571-245-8940	Fax: 571-340-0925
Hubbell Premise Wiring, Europe	44-01283 500500	Fax: 44-01283 500400
Hubbell Int'l. Inc., Korea Branch	82-2-(0)2607-1363	Fax: 82-2-(0)2603-7386

Hubbell Premise Wiring, Latin America	305-408-4501	Fax: 305-408-8201
Hubbell de Mexico, S.A. de C.V.	(5255) 9151-9999	Fax: (5255) 9151-9989
Hubbell Premise Wiring, Middle East	971-4-393-4192	Fax: 971-4-393-4194
Hubbell-Taian Co., Ltd., Taiwan	886-2-2522-1862	Fax: 886-2-2522-1872
Hubbell Premise Wiring, Turkey	90-216-313-5016	Fax: 90-216-414-8148
Hubbell Premise Wiring, Venezuela	58-416-680-7453	Fax: 58-281-274-7900