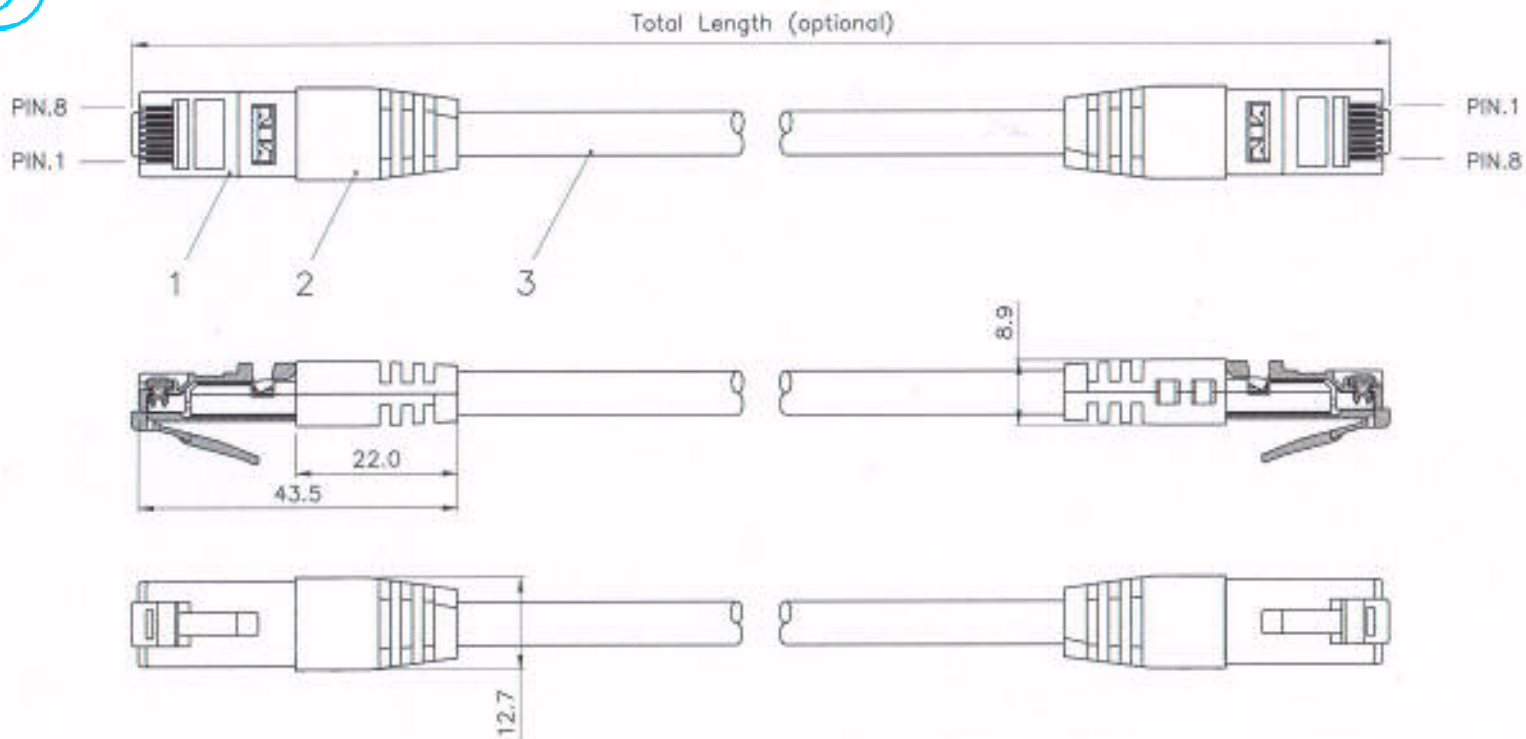


Mini6™



Specification :

Material :

1. RJ45 Plug :
 - 1-1. Housing : Polycarbonate, 94V-2.
 - 1-2. Contact material : Phosphor Bronze with 50-60 micro-inch Nickel plated.
 - 1-3. Contact finished : min. 50 micro-inch Gold plated on contact area.
 - 1-4. Insert : Polycarbonate, 94V-2.
2. Molded SR : PP.
3. Cable : UTP 4 pair stranded wire, 24 AWG conductor and LSOH Jacket.

GENERAL TOLERANCE OF DIMENSIONS M,XXX ±0.005 K,XX ±0.05 K,X ±0.1	DRAWING	21.OCT.2005	Michelle	<h2>PCTB6 Series</h2>
	CHECK	21.OCT.2005	Jaimy	
	APPROVAL	21.OCT.2005	Jaimy	
	DATE	NAME	ITEM NO.: URT4694T@XXX4XX	
SCALE	1/1 (A4)	UNIT	mm	DES.: Cat.6 UTP Patch Cord With SR type
		DRAWING NO. URT4694T@XXX4XX(SA1)		
DRAWING CLASSIFICATION		S	SHEET 1 OF 1	

10cm