

# CABLELINE POWERPOLES

## FEATURES

Aesthetically pleasing profiles

Two compartments which can be subdivided

- Clip-in boxes can be mounted at any height
- Easily moved to meet changes in demand
- Choice of designs to match installation requirements
- Boxes can be retro-fitted
- Extension piece available
- Aluminium lid option



Cableline Powerpole - PP38 and PP28



## SELECTOR CHART Choose from 3 distinct profiles.

Product	Length	Material	Colours Available	Available	Compatible with Clicline	Accepts Socket Mounting Boxes	
				Prewired <small>See Pages 65-67</small>	Wiring Accessories <small>See Pages 50-55</small>	25mm deep	35mm deep
PP 28	3.6m	Aluminium section with PVC body and lid	Standard Colours: White	✓	X	✓	X
PP 18	3.6m	Aluminium spine frame with PVC body and lid		✓	X	✓	X
PP 38	3.6m	Aluminium profile with PVC lids		✓	✓	✓	✓

## POWERPOLE, COMPONENTS AND ACCESSORIES

### Powerpole Assemblies

Size & Body Type	Ref	Packed	Each pack contains
100 x 85mm	PP 28	1	1 x 3.6m Power Pole Body
100 x 85mm	PP 18	1	2 x 3.6m Lid
120 x 130mm	PP 38	1	4 x 1.5m Divider
			6 Boxes and Installation Kit
			1 Ceiling Collar
			1 Floor Boot

NOTE: Powerpole lids are uPVC

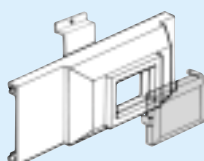
### BOXES

#### Socket Mounting Box

Size & Body Type	Ref	Packed	Size & Body Type	Ref	Packed
PP18/PS1865			PP28/PP38/PS2865		
25mm 1 gang	CLB 3-1/4	10	25mm 1 gang	PPBA1-1	10
			35mm 1 gang*	PPBA2-1	10
			* PP38 only		

### ACCESSORIES

#### Fittings



Size & Body Type	Ref	Packed
MCB/RCD Housing		
Complete DIN mounting rail and 2 joint covers		
Housing unit only	PPH 18	1
Housing unit with cover	PPHC 18	1
Extension Piece	PPE 1	1
1m long (for PP 28 & PP 38)		

If required, the following spare components are readily available:

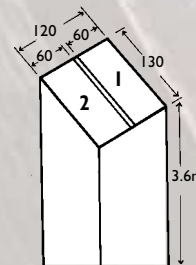
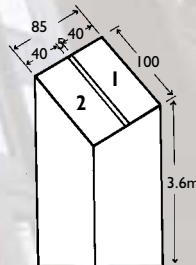
Clip-In Divider 16 x 1.5m	CTD 40
---------------------------	--------



**PP18**

**PP28**

**PP38**



Mita's Power Poles are a highly cost-effective answer to a problem of providing electrical and communications services to island workstations in large offices, showrooms and other open-plan spaces.

PP38 features an aesthetically pleasing curved aluminium profile and can accommodate 35mm deep boxes, as well as being Clicline compatible.

The satin-finish bodies are faced with uPVC lids to make up units which are attractive and exceptionally robust.

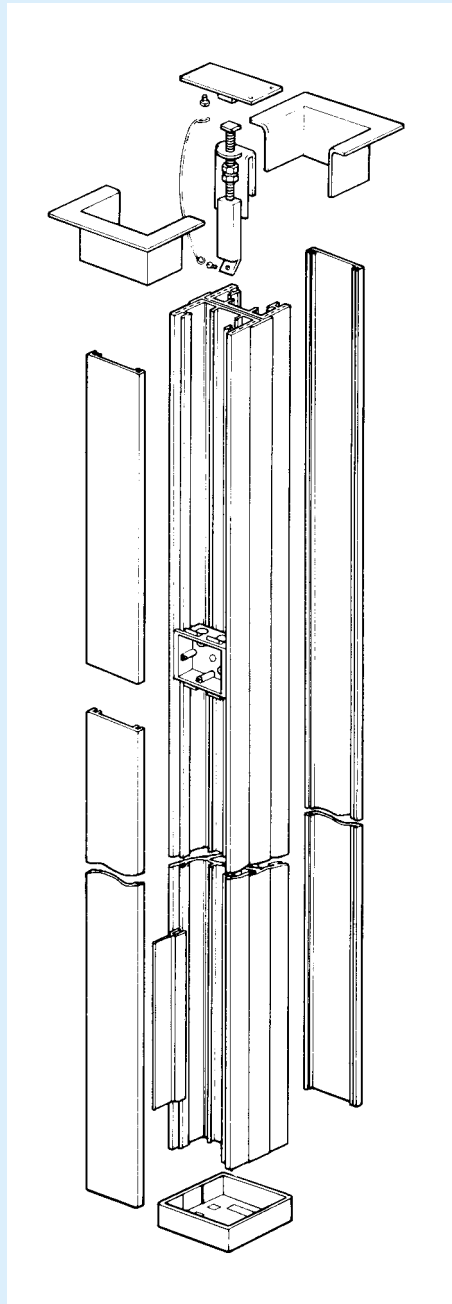
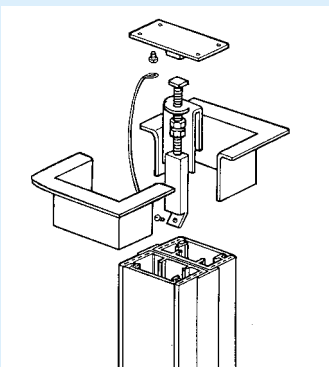
Optional Clip-in dividers allow for cable segregation if required.

Power Pole installation is very simple with uPVC lids held in place securely by Mita's proven double locking system.

All Mita Power Poles are supplied as complete ready-to-fit packages with everything necessary for a neat installation.

When power and communication needs change, they may readily be upgraded or relocated to suit altered room layouts.

**▶ Jacking mechanism for Power Poles**



# ALUMINIUM SERVICE POLES



Aluminium Service Poles

## SELECTOR CHART Choose from 3 distinct profiles.

Product	Height	Material	Colours/Finishes Available	Available Prewired <small>See Pages 65-67</small>	Compatible with Clicline Wiring Accessories <small>See Pages 50-55</small>	Accepts Socket Mounting Boxes	
						32mm deep	42mm deep
POL T10	3.17-3.57m	Aluminium	Standard Colours: Anodised Aluminium	✓	✓	✓	✓
POL T20	3.17-3.57m	Aluminium	Other Colour Options: • RAL Colours	✓	✓	✓	✓
POL 15D	3m	Aluminium		✓	✓	✓	✓

• Please contact our sales office for minimum quantities, lead times and price information.

## POWERPOLE, COMPONENTS AND ACCESSORIES

### Powerpole Assemblies

Size & Body Type	Ref	Packed
Single Sided Profiled Power Pole 120 x 61 x 3170-3570mm high. Complete with divider to form 3 compartments & ceiling collar.	POL T10	1
Double Sided Profiled Power Pole 117 x 120 x 3170-3570mm high. Complete with divider to form 3 compartments & ceiling collar.	POL T20	1
136 x 54 x 3000mm with 'D' shaped feeders Powder Coated White.	POL 15DW	1
Ceiling Collar White Steel	POL 5CF	1
136 x 54 x 3000mm with 'D' shaped feeders Satin.	POL 15DA	1
Ceiling Collar White Steel	POL 5CF	1

### Pre-Wired Variant

Size & Body Type	Ref	Packed
Pre-Wired Variant	POL TPW10	1

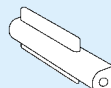
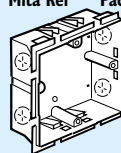
Pre-Wired POL T10 fitted with 4 x 13A single switched socket outlets, wired to a terminal block at top and 2 x 42mm deep back boxes mounted below power outlets with draw wires to top of pole for data cabling. Supplied with ceiling collar.

Other pole heights are available to special order.

### BOXES

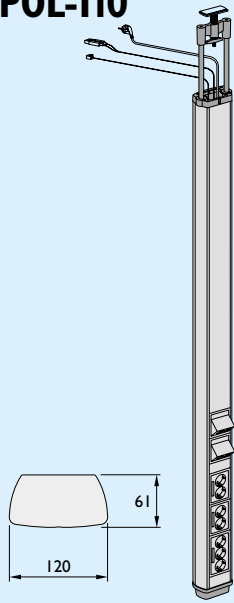
#### Mounting Boxes

Article No.	Size	Mita Ref	Packed
	32mm deep 6 x 16mm knockouts 1 gang	79 x 32 x 84mm	CYB 301W 1
Ordering information: 2 x CYB505W required with each 42mm deep box.			
	42mm deep 10 x 16/20mm knockouts 1 gang	79 x 42 x 84mm	CYB 401W 1
Ordering information: 2 x CYB505W required with each 42mm deep box.			

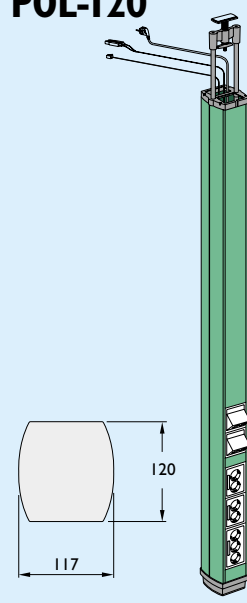


Screw Pillar 5961505	14 x 12 x 37mm	CYB 505W	1
-------------------------	----------------	----------	---

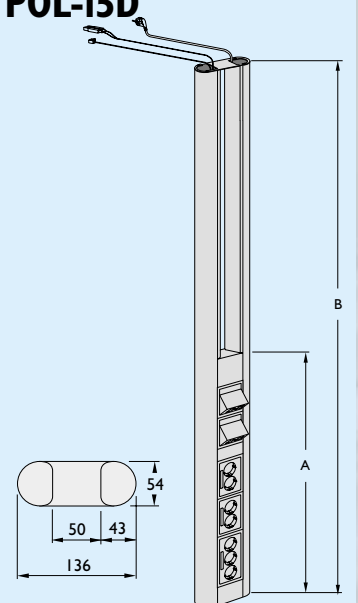
**POL-T10**



**POL-T20**



**POL-I5D**



POSD



POS D  
(Shown with  
optional door)



POL 15DA

● Other variants are available to special order.